

Dixie-Narco®



Lawrence Street
Ranson, West Virginia 25438

(304) 725-3481
(800) 24-0553

Service Bulletin # _____

Date: December 14, 1981

Revised: December 17, 1981

Revised: August 18, 1982

MODEL: DNCB 630/360-5 or -6 - Beginning S/N....2486 (New Column Die)

EXCEPT: DNCB 630/360-5 or -6 - S/N....2478 - 12 P, 9 DP, 2 SQ (New Column Die also)

REASON: Beginning with serial numbers outlined above, the Column Die was changed in

1. Holes have been incorporated in the sides of the column walls (instead of slots) for rear spacers.
2. Rear spacers have a spring loaded feature for engagement tabs to facilitate installation and make more secure.

SUBJECT: Shimming & Adjustment Instructions

SETTING: All DNCB 630/360-5 or -6 are shipped set to vend 16 oz. NR Bottle PLB.

Loading Depth	Package	Divider Angle	Shims Total Per Vender	Screws	Shims Per Column	Rear Spacer Hole Location	Cam Adjustment	Cam For Vend Motor	Tot Capac
2 Deep	16 oz. NR Bottle PLB	0	0	0	0	15	4 Notches	0	36
2 Deep	16 oz. B Bottle NR	1	12	3	2 (1 ea. Side)	20	4 Notches	0	37
3 Deep	10 oz. NR Bottle PLB	0	36	0	6 (3 ea. Side)	22	6 Notches	0	61
3 Deep	12 oz. Rim or Rimless Cans	0	48	0	8 (4 ea. Side)	16	6 Notches	0	63
1 Deep	16 oz. Returnable	1	48	3	8 (4 ea. Side)	5	2 Notches	6	20
2 Deep	1/2 L Generic Straight Wall Plastic Pet Bottles	0	12	0	2 (1 ea. Side)	15	4 Notches	0	37
2 Deep	1/2 L Contour Coke Plastic Pet Bottles	0	36	0	6 (3 ea. Side)	20	4 Notches	0	40
1 Deep	1/2 L Returnable Pepsi - Glass	1	24	3	4 (2 ea. Side)	2	2 Notches	6	20
1 Deep	1/2 L Returnable Coke - Glass	1	24	3	4 (2 ea. Side)	2	2 Notches	6	20
2 Deep	16 oz. Cans	0	48	0	8 (4 ea. Side)	10	4 Notches	0	42

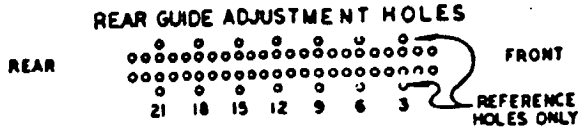


Figure 1

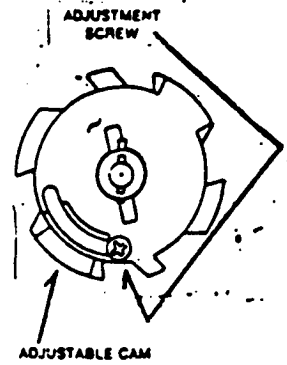


Figure 3

Move the adjustable cam (on Vend Motor) to # of notches indicated in shim list. Fig. 3

1. SHIM INSTALLATION

Refer to Shim List

2. REAR SPACER INSTALLATION

- a. Rear Spacers are installed and shipped in each vender.
- b. Locate rear spacer in appropriate adjustment hole for package being vended.

3. Install Shim as shown, Fig. 2 Shim rests on shim hanger rods, front and rear.

4. To adjust rear spacer the vend oscillator must be in a vertical position.

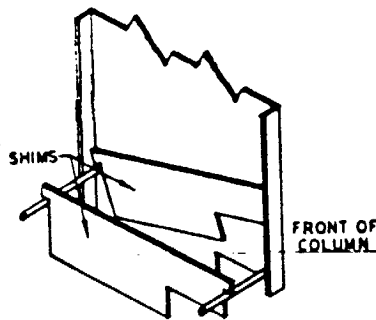


Figure 2

Position divider angle as shown over existing holes in chute. Secure with (3) #8-32 x 3/8 Screws.

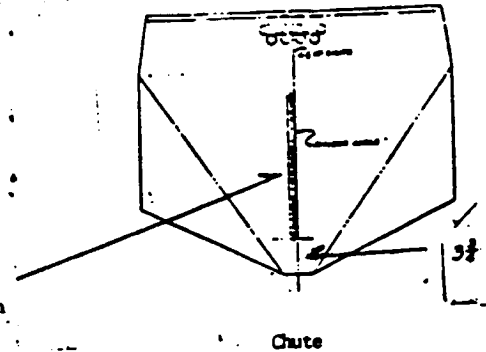


Figure 4

Part #	Part
801,901,880.01	Shim
801,804,460.11	Flat Cam
B236,010,010.03	Divider Angle .045" x 7 11/64" x 15 1/4"
900,301,560.01	Sems Screw 8-32 x 3/8"
*B236,010,080.03	Shim for 16 oz. Can

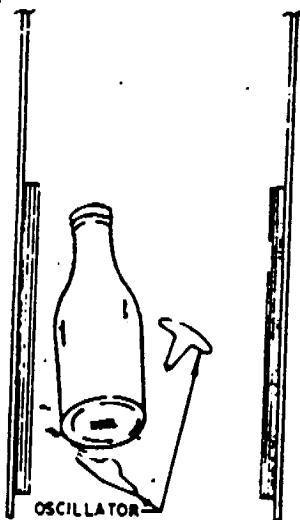


Figure 5

PACKAGE LOADING

Position Balls as shown. Load packages No. 1,2,3,4 as shown, in both front, middle and rear of column. Front, Middle and Rear must be loaded evenly. All bottles must be loaded with cap toward rear spacer.

When Column is sold out, load first 2 bottles heel down - Crown Up - at approximately 45°. See Fig. 5

Then release to horizontal position, See Fig. 6.

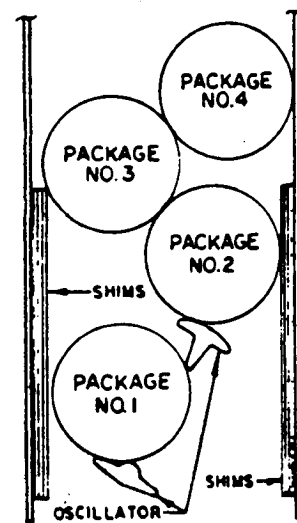


Figure 6